



BEFORE YOU BEGIN:

PLEASE READ THROUGH THE INSTRUCTIONS AND INSPECT THE KIT BEFORE YOU GET STARTED.

Tools: You may need basic hobby tools such as a hobby knife, files, and sandpaper as well as glue to complete the assembly process.

Glue: We recommend using both superglue and PVA (white glue). Super glue is necessary for gluing any plastic, acrylic, or resin parts and sets very quickly. PVA gives you more working time if you need it for larger areas or for parts that need extra finesse to get lined up perfectly.

Cleaning Parts: The sprue points where parts were attached to the sheets can be sanded flush or carefully saved with a hobby knife. We do not recommend scaping as you would with plastic or resin models as it tends to make the MDF fray and get fuzzy. Part cleaning with a hobby knife is easiest if done before assembly, but can frequently be done after if you have files and sandpaper on hand. Where possible, we try to place sprue points in our designs to be in hidden places to avoid the need for cleaning on many parts.

Priming: We highly recommend priming with a FLAT enamel spray paint. Rustoleum and Krylon make these types of paint and are what we use in the studio.

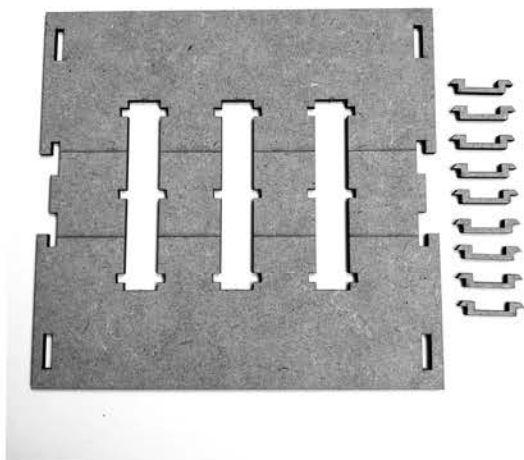
Painting: Paint with your normal hobby and spray paints to finish your project.

Thank you so much for your purchase and please reach out if you have any questions or run into any issues.

Email us at: support@deathraydesigns.com
Chat us on Facebook: [FB.com/DeathRayDesigns](https://www.facebook.com/DeathRayDesigns)

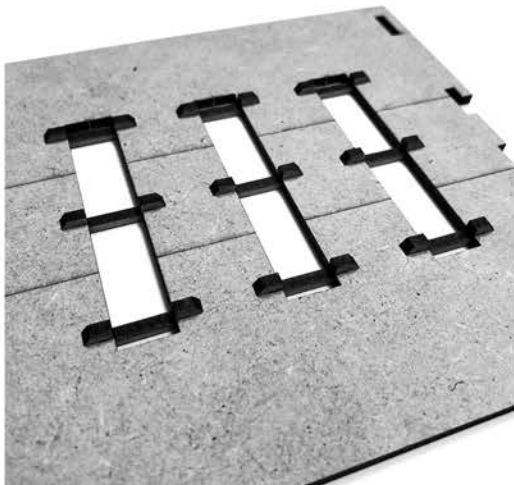


1



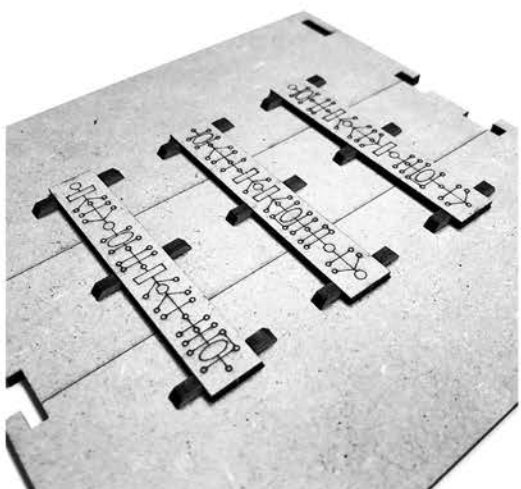
Gather these parts

2



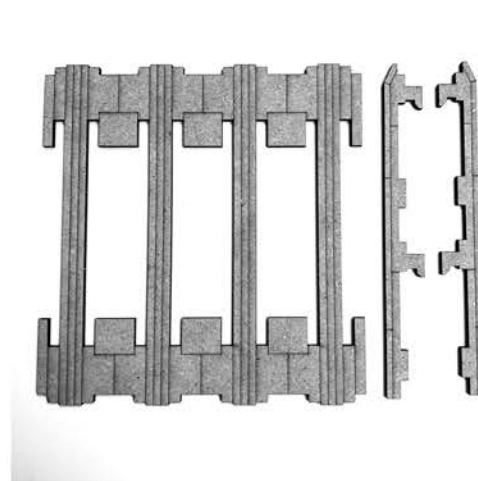
Glue in the brackets from the front as shown

3



Glue in the carouche strips on the brackets
as shown

4



Gather these parts

5



Glue the hook rails into the slots near the
edges as shown

6



Glue the large detail plate on as shown

