



BEFORE YOU BEGIN:

PLEASE READ THROUGH THE INSTRUCTIONS AND INSPECT THE KIT BEFORE YOU GET STARTED.

Tools: You may need basic hobby tools such as a hobby knife, files, and sandpaper as well as glue to complete the assembly process.

Glue: We recommend using both superglue and PVA (white glue). Super glue is necessary for gluing any plastic, acrylic, or resin parts and sets very quickly. PVA gives you more working time if you need it for larger areas or for parts that need extra finesse to get lined up perfectly.

Cleaning Parts: The sprue points where parts were attached to the sheets can be sanded flush or carefully saved with a hobby knife. We do not recommend scaping as you would with plastic or resin models as it tends to make the MDF fray and get fuzzy. Part cleaning with a hobby knife is easiest if done before assembly, but can frequently be done after if you have files and sandpaper on hand. Where possible, we try to place sprue points in our designs to be in hidden places to avoid the need for cleaning on many parts.

Priming: We highly recommend priming with a FLAT enamel spray paint. Rustoleum and Krylon make these types of paint and are what we use in the studio.

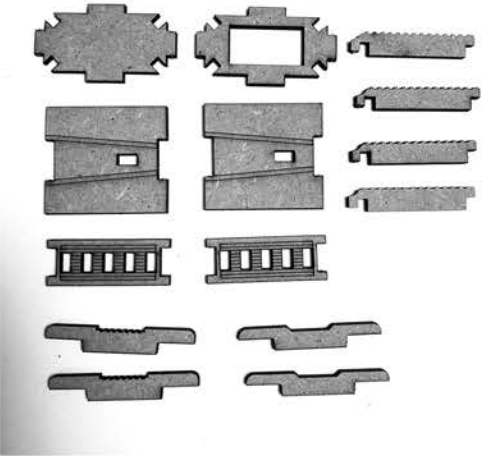
Painting: Paint with your normal hobby and spray paints to finish your project.

Thank you so much for your purchase and please reach out if you have any questions or run into any issues.

Email us at: support@deathraydesigns.com
Chat us on Facebook: [FB.com/DeathRayDesigns](https://www.facebook.com/DeathRayDesigns)



1



Gather these parts

2



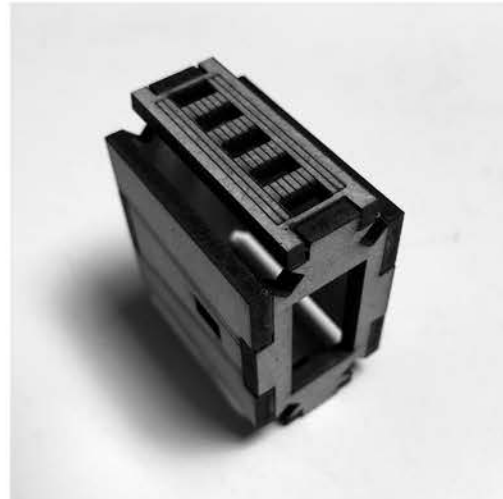
Glue the front and back plate on as shown. Not the hole in the bottom should be closer to the back which has a hole as well.

3



Glue on top plate also with the hole closer to the back

4



Glue on side places as shown

5



Glue in the ribbed rails between the top, bottom, and sides as shown. The side that overhangs show point toward the front (has no hole)

6



Glue in the 4 slats into the back with the taller ones in the middle as shown



7



Gather these parts

8



Glue 12 of the barrel plates with holes slotted into one of the long strips with notches on both sides as shown. You will have one with holes and one without left over.

9



Notice the line of deep notches in all of the barrel plates creating a trench

10



Insert the comb-shaped piece into that trench

11



Glue the other plate on top making sure that the hole is at the same end as the one on the bottom

12



At the end closer to the holes on top and bottom, glue the final barrel plate with the holes

13



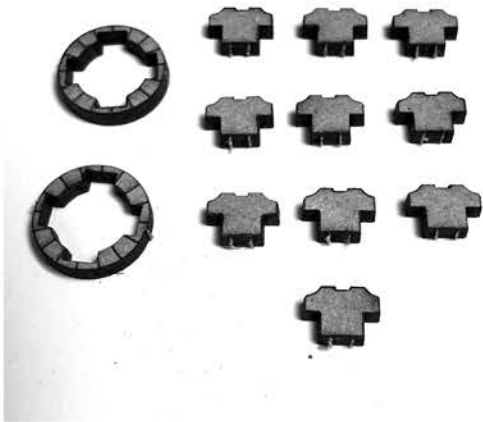
At the other end glue the barrel plate with no holes.

14



Glue the construct finished in step 6 onto the plate with no holes from the previous step with pegs in the notches around the perimeter

15



Gather these parts

16



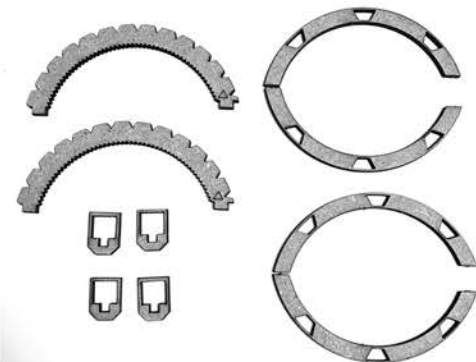
Glue the pegs into the side plates as shown

17



Glue the barrel rims on as shown

18



Gather these parts

19



Glue the side arc plates onto the gear arcs. They are asymmetrical. Glue shorter end of the side arc to the side of the gear marked with a triangle.

20



Don't glue, but slide two of the rectangular hoops onto the arc construct and glue the ends onto the gun with the short/triangle end on the back of the gun

21



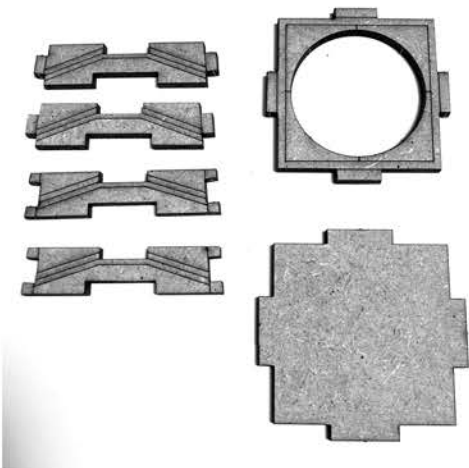
Put glue at the base of the arc, both ends, and slide the rectangular hoops down as shown

22



Repeat for the other side

23



Gather these parts

24



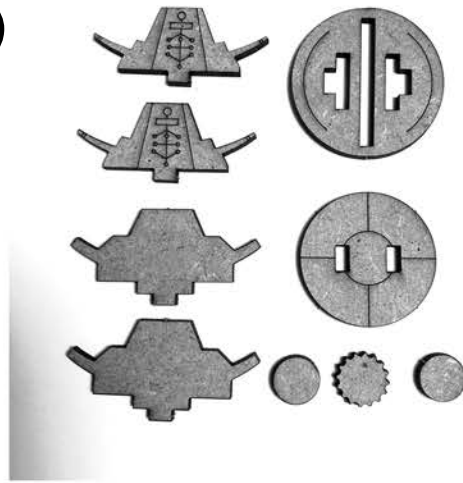
Glue two sides onto the top as shown

25



Glue the other two sides on as well as the bottom

26



Gather these parts

27



Glue the two larger plates into the larger disc as shown. Pegs will protrude from the bottom.

28



Glue the smaller plates into the same disc and to the plates from the previous step with the detail facing out

29



Glue the smaller disc under the first one on the pegs as shown

30



Glue together the cog with the two small discs on either side

31



Do a dry fit with the gun ring in the mount
and the small cog on top

32



Glue in place if desired, but leaving at least
the base block un-glued means you can turn
it in its base