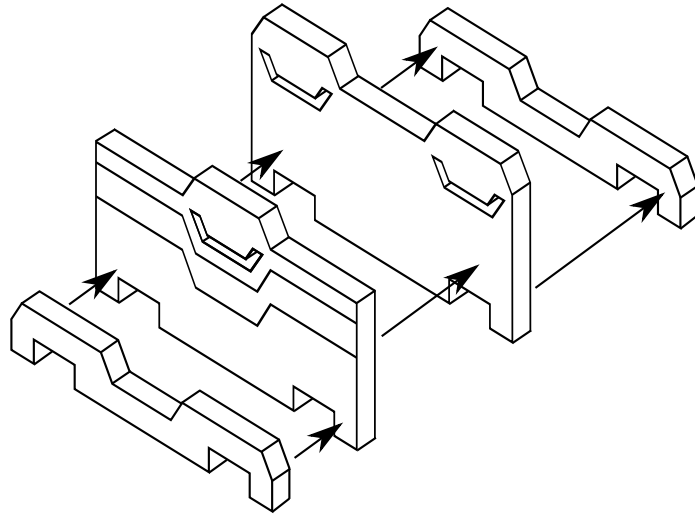
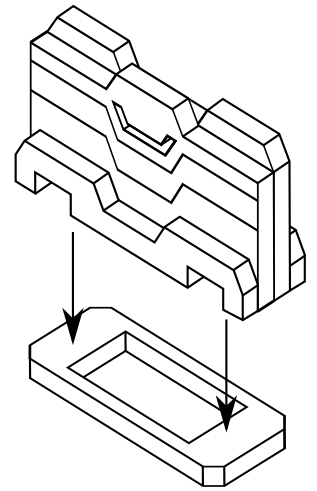


## IN-City Street Barricade assembly



**Step 1**

**1. After removing all pieces from the sheet with a hobby/utility blade, glue together the 4 layers as shown in the Step 1 diagram.**

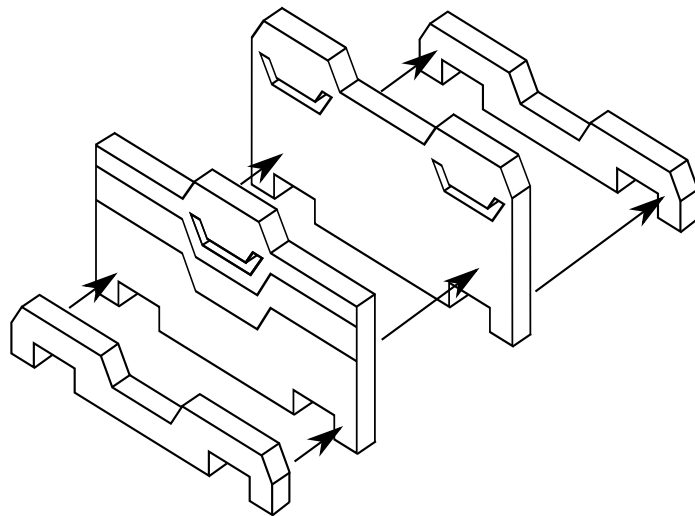


**Step 2**

**Use filler primer for best results.**

**Use superglue or wood glue for assembly.**

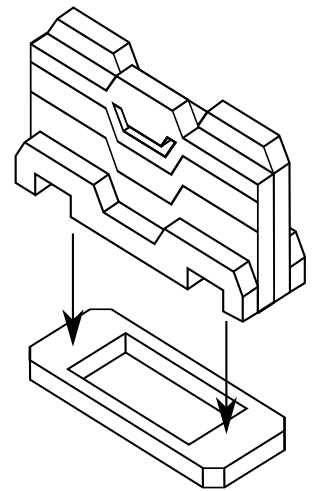
## IN-City Street Barricade assembly



**Step 1**

**1. After removing all pieces from the sheet with a hobby/utility blade, glue together the 4 layers as shown in the Step 1 diagram.**

**2. Glue the base plate onto the bottom of the previously assembled part.**



**Step 2**

**Use filler primer for best results.**

**Use superglue or wood glue for assembly.**