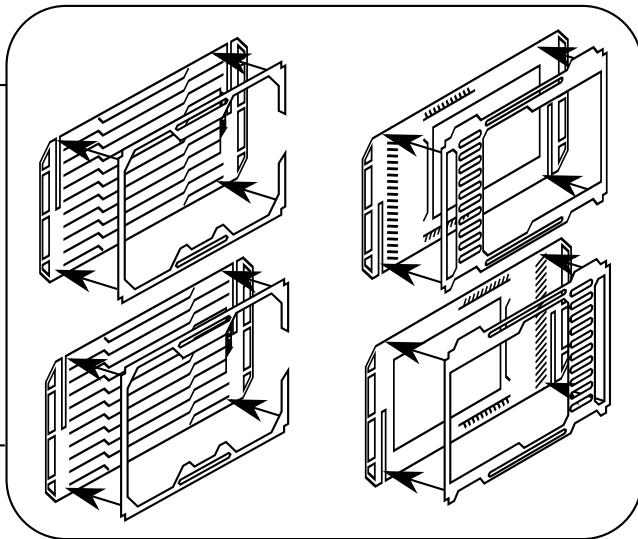


IN-City Industrial Double Pod assembly

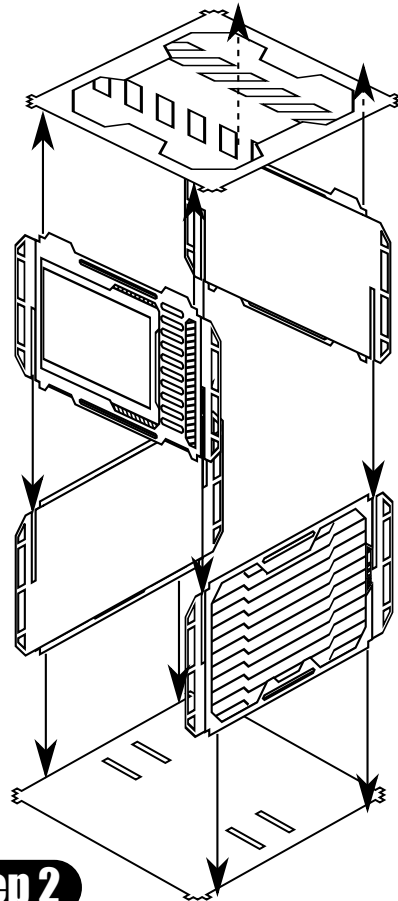


Step 1

1. After removing all pieces from the sheet with a hobby/utility blade, attach faceplates onto sides with superglue or wood glue. Make sure to line the plates up before you glue to make sure you have the correct pieces matched up. If using woodglue, apply pressure with a clamp or a flat weight to hold the plates to gether while they dry.

2. Slide faces together at the corners and glue the top and bottom into the interlocking notches.

3. Prime with filler primer for best results.



Step 2