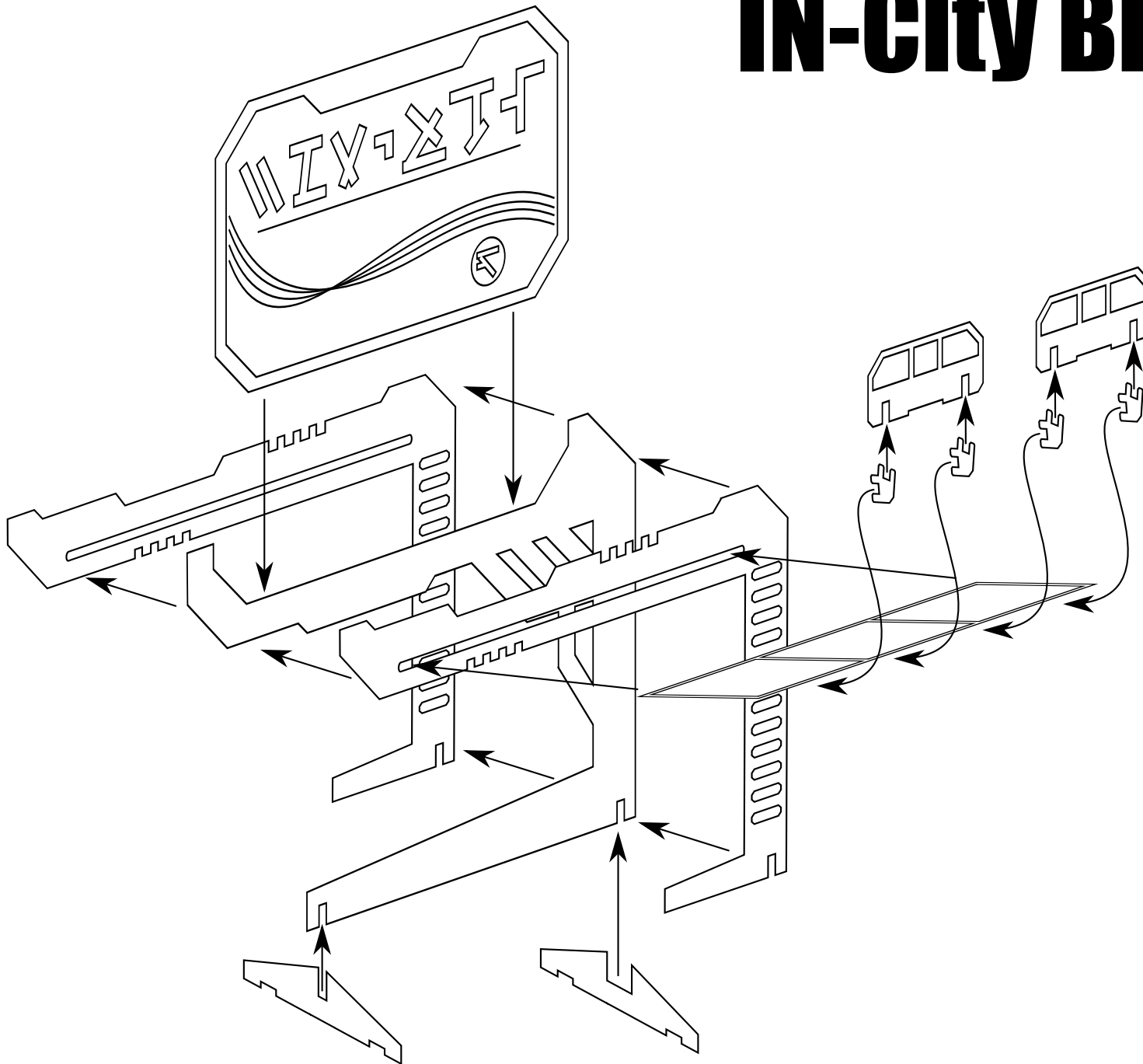


# IN-City Billboards

## assembly



**1. After removing all pieces from the sheet with a hobby/utility blade, attach faceplates onto sides with superglue.**

**2. Slot platform into one side of the upright**

**3. Assemble guard rail as shown and place along the platform as desired**

**4. Put stands on base**

**5. Before attaching acrylic sign, prime with flat enamel spray for best results.**