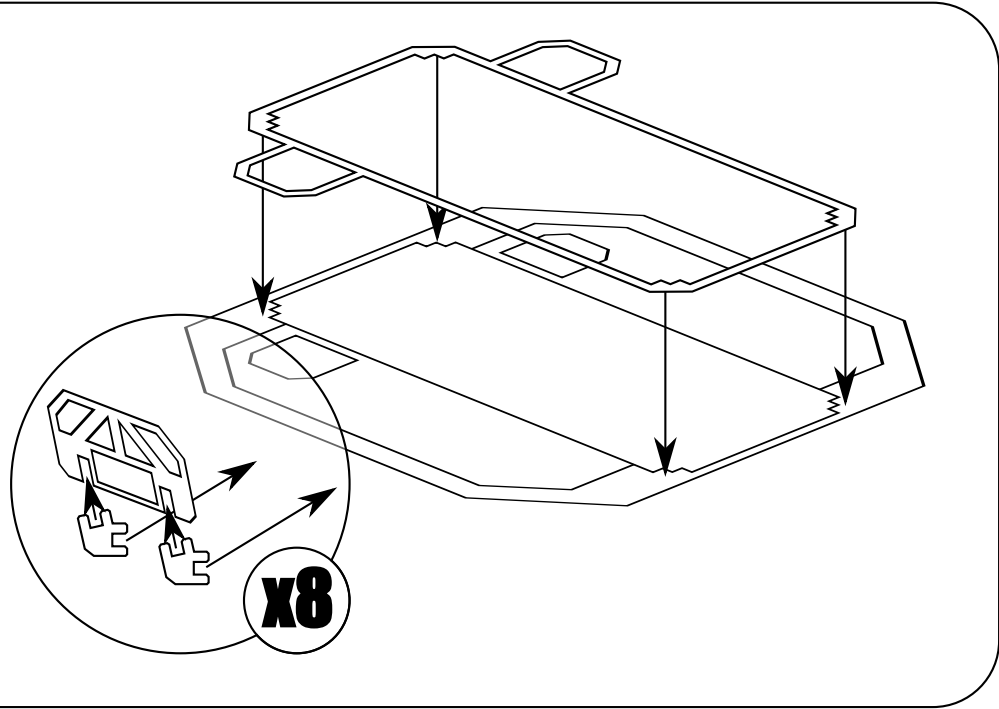


In-City Industrial Observation Platform assembly

**Use flat enamel
spray as primer
for best results.**

**Use superglue or
wood glue for
assembly.**



1. Glue the top ring set onto the main platform. Glue the 8 handrail sets around the perimeter.

2. Fit over the top of an In-City Single pod or Industrial Single Pod. Pods still stack on top with the platform attached.