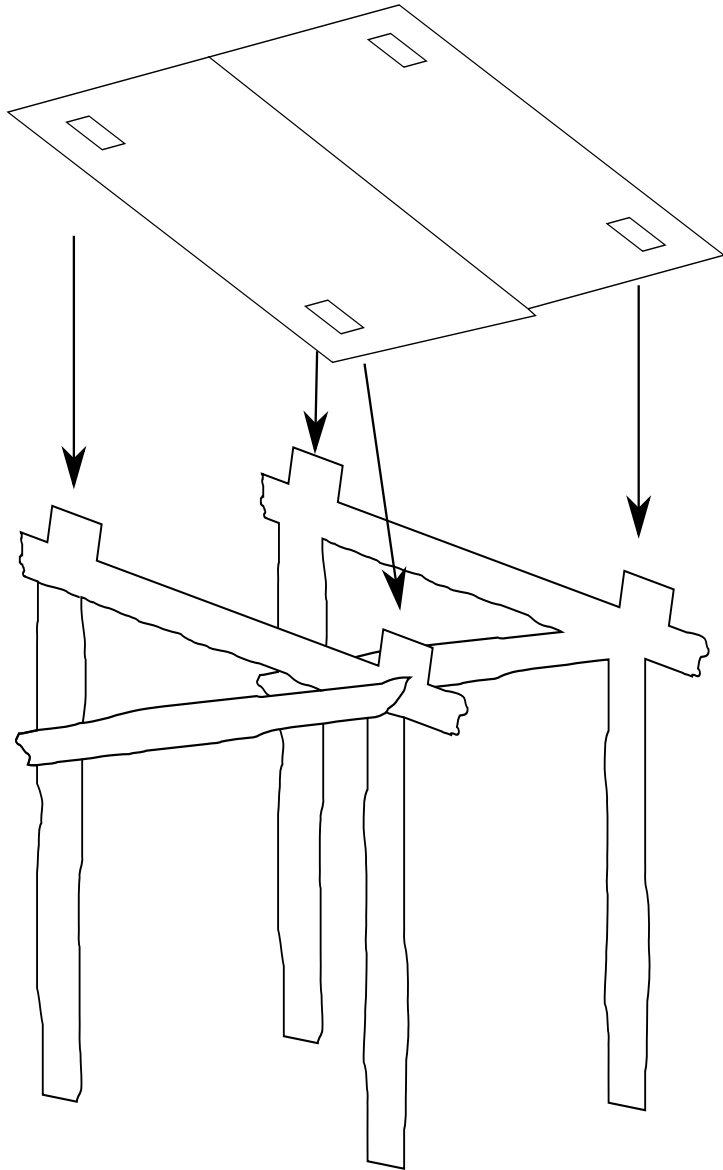


RUST POINTE

Lean-to

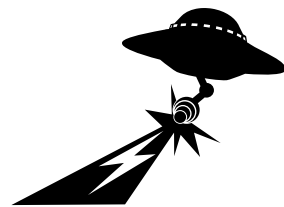


1. Remove all pieces from the sheet with a hobby/utility blade.

2. Assemble as shown in the diagrams below.

3. Prime with Rust-Oleum filler primer for best results.

X2



DEATH RAY
DESIGNS