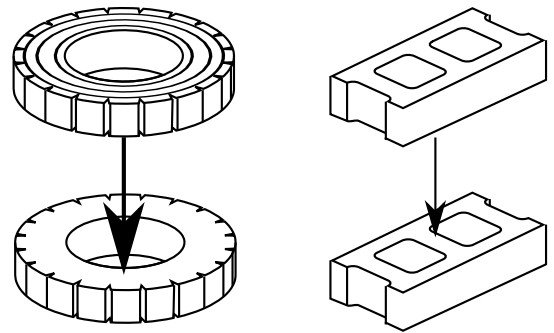
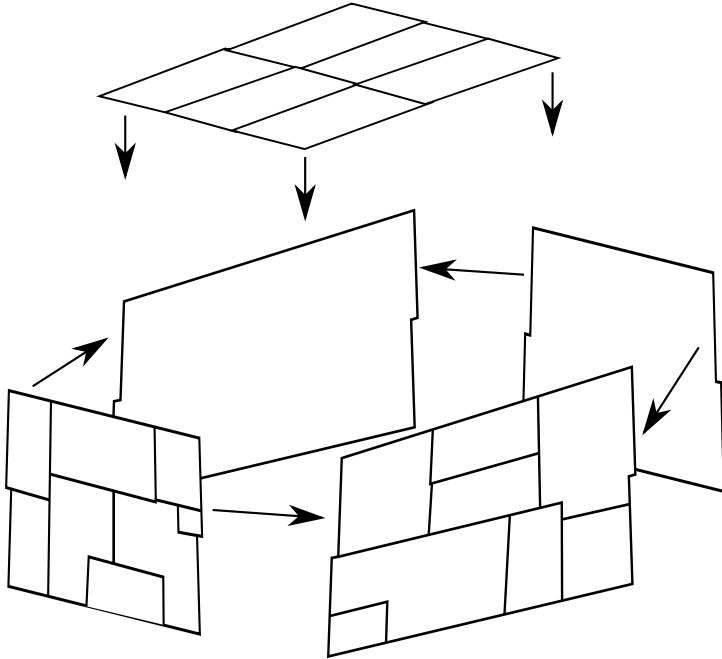


RUST POINTE

Hovel or Supply House

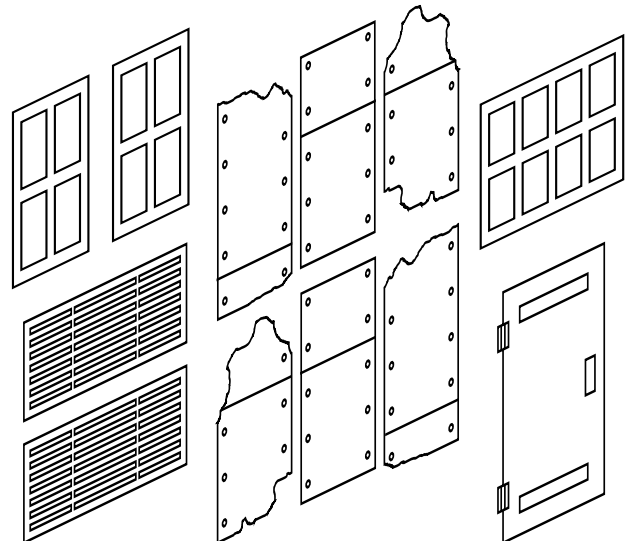
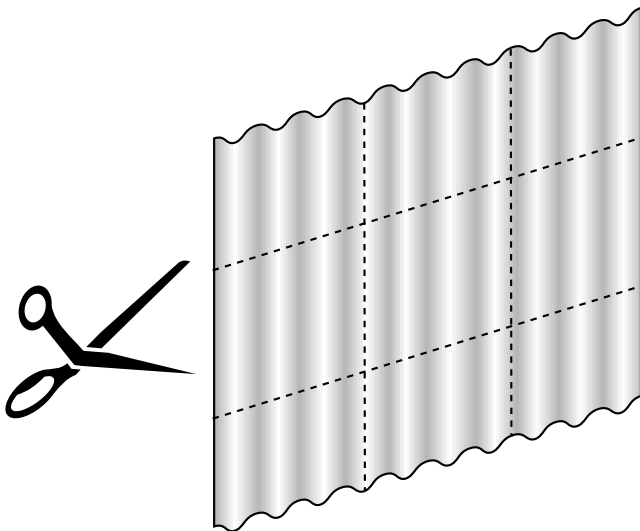
1. Remove all pieces from the sheet with a hobby/utility blade.

2. Assemble as shown in the diagrams left and below.



3. Cut plastic corrugated steel sheet into desired shapes with a hobby knife or scissors.

4. Add detail card and corrugated steel as desired.



5. Prime with Rust-Oleum filler primer for best results.