



BEFORE YOU BEGIN:

PLEASE READ THROUGH THE INSTRUCTIONS AND INSPECT THE KIT BEFORE YOU GET STARTED.

Tools: You may need basic hobby tools such as a hobby knife, files, and sandpaper as well as glue to complete the assembly process.

Glue: We recommend using both superglue and PVA (white glue). Super glue is necessary for gluing any plastic, acrylic, or resin parts and sets very quickly. PVA gives you more working time if you need it for larger areas or for parts that need extra finesse to get lined up perfectly.

Cleaning Parts: The sprue points where parts were attached to the sheets can be sanded flush or carefully saved with a hobby knife. We do not recommend scaping as you would with plastic or resin models as it tends to make the MDF fray and get fuzzy. Part cleaning with a hobby knife is easiest if done before assembly, but can frequently be done after if you have files and sandpaper on hand. Where possible, we try to place sprue points in our designs to be in hidden places to avoid the need for cleaning on many parts.

Priming: We highly recommend priming with a FLAT enamel spray paint. Rustoleum and Krylon make these types of paint and are what we use in the studio.

Painting: Paint with your normal hobby and spray paints to finish your project.

Thank you so much for your purchase and please reach out if you have any questions or run into any issues.

Email us at: support@deathraydesigns.com
Chat us on Facebook: [FB.com/DeathRayDesigns](https://www.facebook.com/DeathRayDesigns)



1



Gather these wall parts.

2



Slot together the walls as shown and dry fit them into the base. **DO NOT GLUE BASE YET.** Just dry fit the base for now. It will help with structural integrity as you complete the build.

3



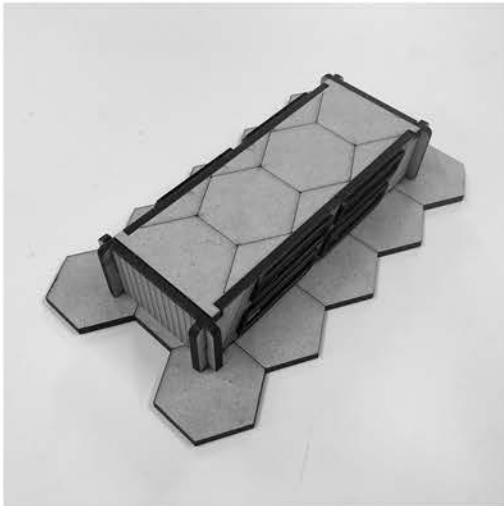
While you may wish to skip this until **AFTER PAINTING**, Glue the acrylic windows in from inside the building. Leaving the bottom un-glued will let you put it in afterwards.

4



Glue the acrylic window frames on around the windows

5



Glue the lower roof on. **NOTE:** The roofs are different. Make sure you grab the one from the photo.

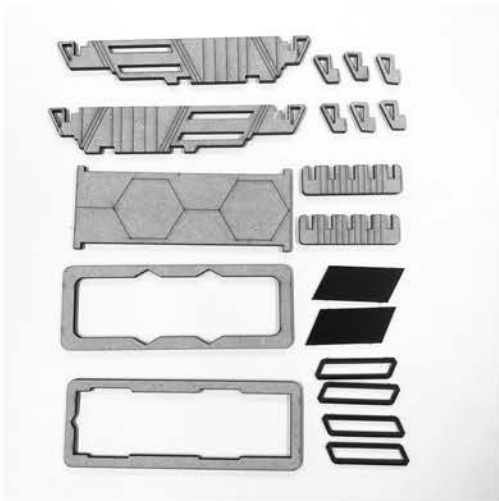
6



Glue the matching roof rim on as shown.



7



Gather these parts for the upper part of the building.

8



Glue the frame slotted together as shown.

9



Glue on the roof. NOTE: pay attention to the orientation. Ther two full hexes should be closer to the narrow side with the windows.

10



Glue on the roof rim and the triangular loop details as shown.

11



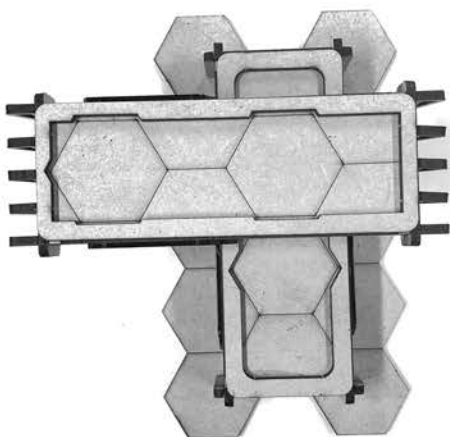
Glue on the acrylic window frames on. You can skip Putting the actual window acrylic in until after painting as in step 3.

12



Glue the upper section to the lower section. Refer to step 13 for placement.

13



When attaching the two halves, try to match up the pattern of the hexes as shown.